



Nodolini
SPRINKLERS

DUST SUPPRESSION

NODOLINI SPRINKLERS
Via C. Iotti, 55 - 42045 Luzzara (RE) - Italy
Tel. +39 0522 977491 - Fax +39 0522 977491
info@nodolini.com - www.nodolini.com



*Nodolini s.n.c. is proud to present its range of **Dust Suppression** irrigators, specifically designed to suppress dust. Ongoing research during over forty years of business activity has made it possible to combine reliable mechanical engineering with the very best performance.*

The range is split into irrigators with 25° trajectory (for mines, yards) and irrigators with 43° trajectory (for stockpiles).

*All the **Dust Suppression** models feature protected moving parts so as to also be able to work in heavy-duty conditions.*

A plastic-covering treatment is provided as standard to better protect the exposed parts.

At the customer's specific request, personalised solutions are possible, such as hard oxidation treatment for particularly aggressive water or stainless-steel nozzles.

The company is also ready to evaluate and cater for any other customer requirements.

La Nodolini s.n.c. è orgogliosa di presentare la gamma di irrigatori **Dust Suppression** appositamente studiati per l'abbattimento polveri. Una costante ricerca sviluppata in oltre quarant'anni di attività ha permesso di unire una meccanica affidabile ad un alto rendimento.

La gamma si divide in irrigatori con traiettoria 25° (per miniere, piazzali) e irrigatori con traiettoria 43° (per depositi). In tutti i modelli **Dust**

Suppression le parti meccaniche di movimentazione sono protette permettendo in tal modo di operare anche in situazioni gravose. Di serie viene eseguito un trattamento di plastificazione che protegge maggiormente le parti esposte. Su specifica del cliente si possono realizzare soluzioni personalizzate come il trattamento di ossidazione dura per acque particolarmente aggressive o i bocchagli in acciaio inox. Vi è inoltre la disponibilità a valutare e soddisfare ulteriori richieste della clientela.

S45 DUST SUPPRESSION

A MEDIA GITTATA

Connessione filetto femmina

1" 1/2 BSP

2" BSP

1" 1/2 NPT

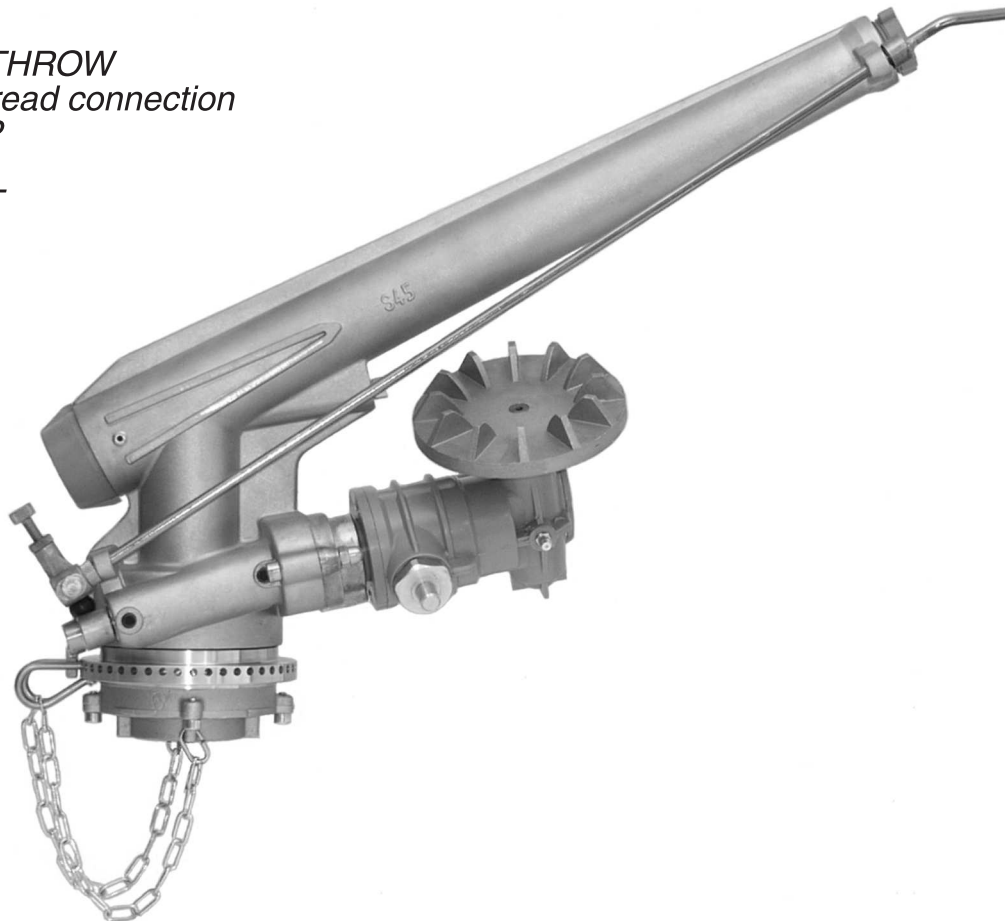
MEDIUM THROW

Female thread connection

1" 1/2 BSP

2" BSP

1" 1/2 NPT



Disponibile senza rompigetto

Also available without jet-breaker

Boccaglio Nozzle Ø mm	Pressione Pressure atm.	Portata Discharge l/min	Gittata Length of jet m
10	1,5 - 2,0 - 2,5	80 - 93 - 104	18 - 22 - 24
12	2,0 - 3,0 - 4,0	134 - 164 - 190	24 - 29 - 31
14	2,0 - 3,0 - 4,0	183 - 224 - 258	26 - 32 - 34
16	3,0 - 4,0 - 5,0	292 - 337 - 377	33 - 37 - 39
18	3,0 - 4,0 - 5,0	370 - 427 - 477	34 - 37 - 42
20	3,0 - 4,0 - 5,0	456 - 527 - 590	36 - 41 - 46
22	4,0 - 5,0 - 6,0	638 - 713 - 780	42 - 47 - 49
24	4,0 - 5,0 - 6,0	730 - 817 - 895	43 - 48 - 52

I dati tecnici sono orientativi e non impegnativi

The technical characteristics are indicative and not binding

S45 DUST SUPPRESSION HIGH PRESSURE

A MEDIA GITTATA

Connessione filetto femmina

1" 1/2 BSP

2" BSP

1" 1/2 NPT

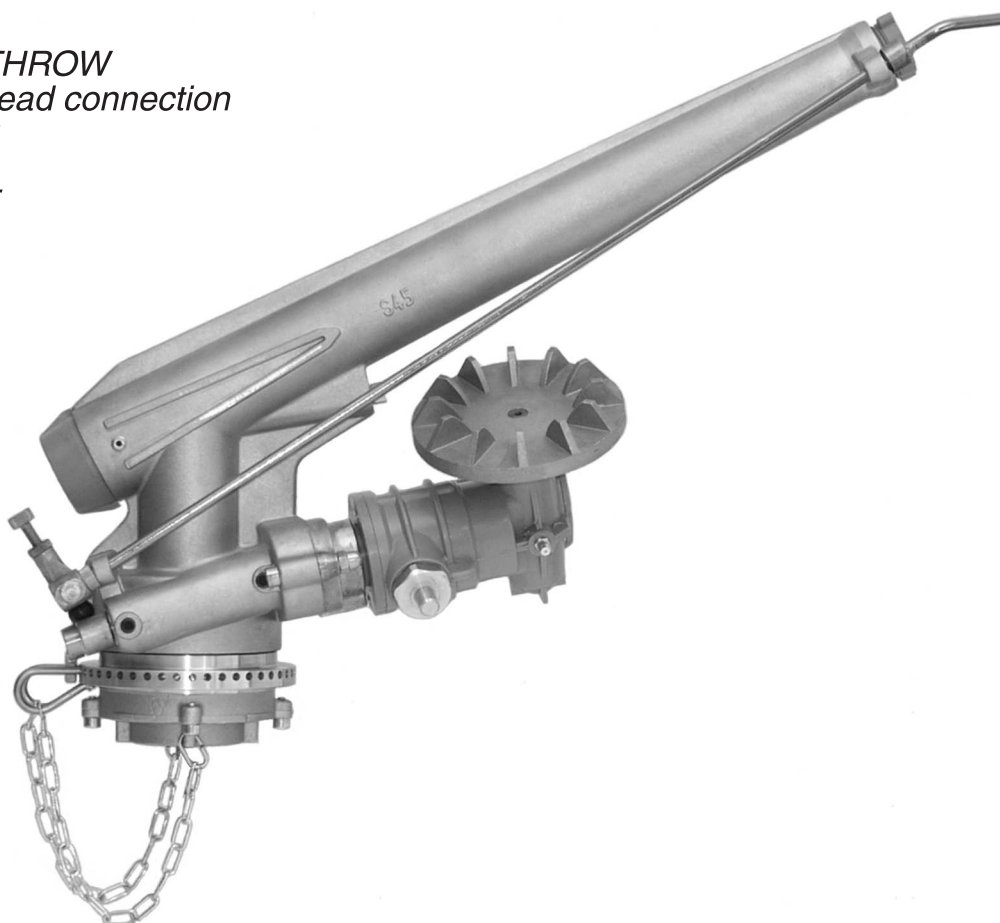
MEDIUM THROW

Female thread connection

1" 1/2 BSP

2" BSP

1" 1/2 NPT



Costruito con materiali di alta qualità.
Tutti gli ingranaggi sono in metallo.
Può funzionare con pressioni fino
a 10 atm.

Disponibile senza rompigetto

*It is manufactured with high quality
materials.*

All gears are made of metal.

*It can operate up to a pressure
of 10 atm.*

Also available without jet-breaker

Boccaglio Nozzle Ø mm	Pressione Pressure atm.	Portata Discharge l/min	Gittata Length of jet m
10	1,5 - 2,0 - 2,5	80 - 93 - 104	18 - 22 - 24
12	2,0 - 3,0 - 4,0	134 - 164 - 190	24 - 29 - 31
14	2,0 - 3,0 - 4,0	183 - 224 - 258	26 - 32 - 34
16	3,0 - 4,0 - 5,0	292 - 337 - 377	33 - 37 - 39
18	3,0 - 4,0 - 5,0	370 - 427 - 477	34 - 37 - 42
20	3,0 - 4,0 - 5,0	456 - 527 - 590	36 - 41 - 46
22	4,0 - 5,0 - 6,0	638 - 713 - 780	42 - 47 - 49
24	4,0 - 5,0 - 6,0	730 - 817 - 895	43 - 48 - 52

I dati tecnici sono orientativi e non impegnativi

The technical characteristics are indicative and not binding

S60 DUST SUPPRESSION

A LUNGA GITTATA

Attacco a flangia Nodolini

Connessione filetto femmina

2" BSP

2" 1/2 BSP

2" NPT

LONG THROW

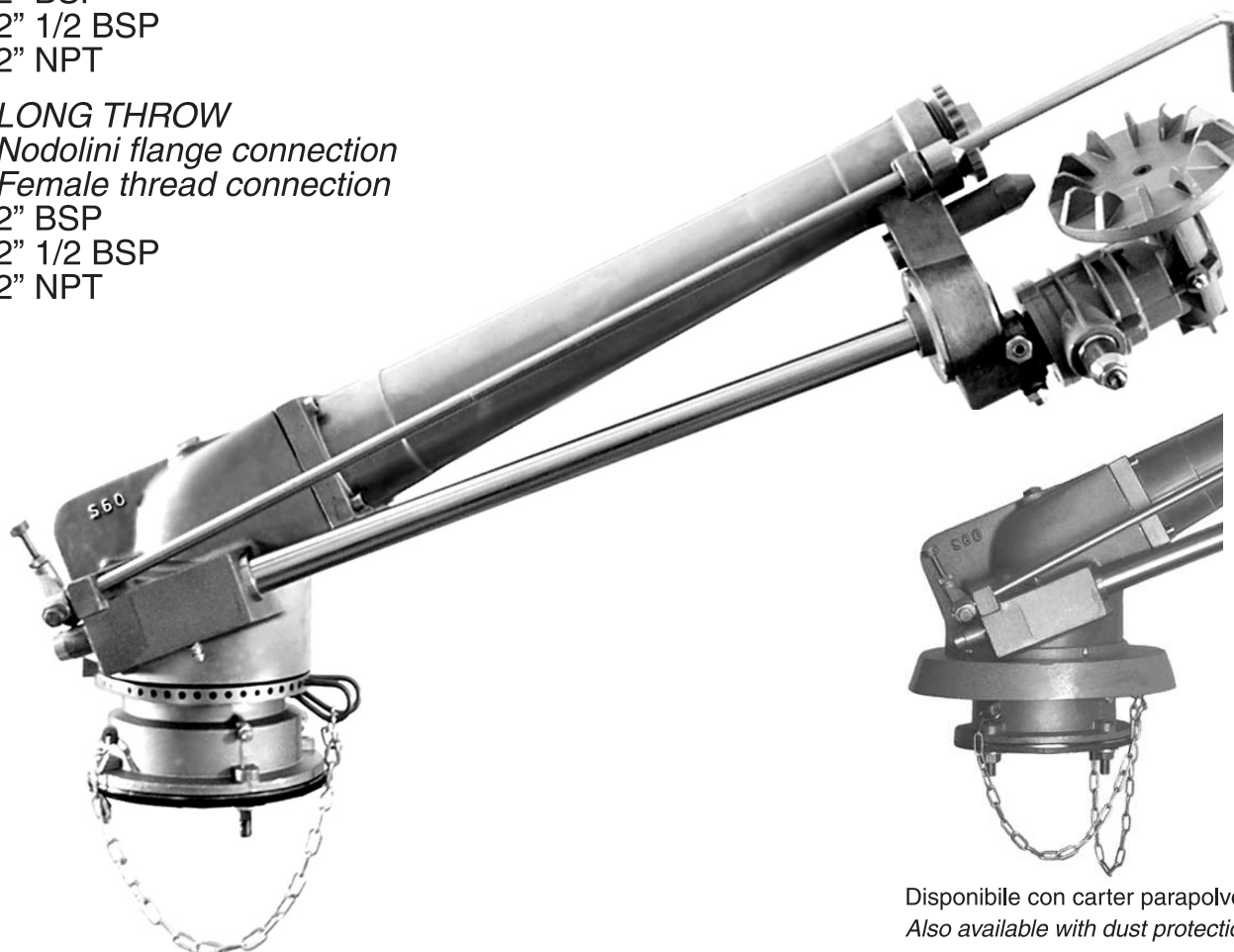
Nodolini flange connection

Female thread connection

2" BSP

2" 1/2 BSP

2" NPT



Disponibile con carter parapolvere
 Also available with dust protection cover

Disponibile senza rompighetto

Also available without jet-breaker

Boccaglio Nozzle Ø mm	Pressione Pressure atm.	Portata Discharge l/min	Gittata Length of jet m
20	4,0 - 4,5 - 5,0	506 - 537 - 566	41 - 43 - 45
22	4,0 - 4,5 - 5,0	612 - 649 - 684	43 - 45 - 47
24	4,0 - 4,5 - 5,0	729 - 774 - 816	45 - 47 - 49
26	4,5 - 5,0 - 5,5	908 - 957 - 1004	47 - 49 - 51
28	4,5 - 5,0 - 5,5	1053 - 1110 - 1164	50 - 52 - 54
30	5,0 - 5,5 - 6,0	1273 - 1335 - 1394	53 - 55 - 57

I dati tecnici sono orientativi e non impegnativi

The technical characteristics are indicative and not binding

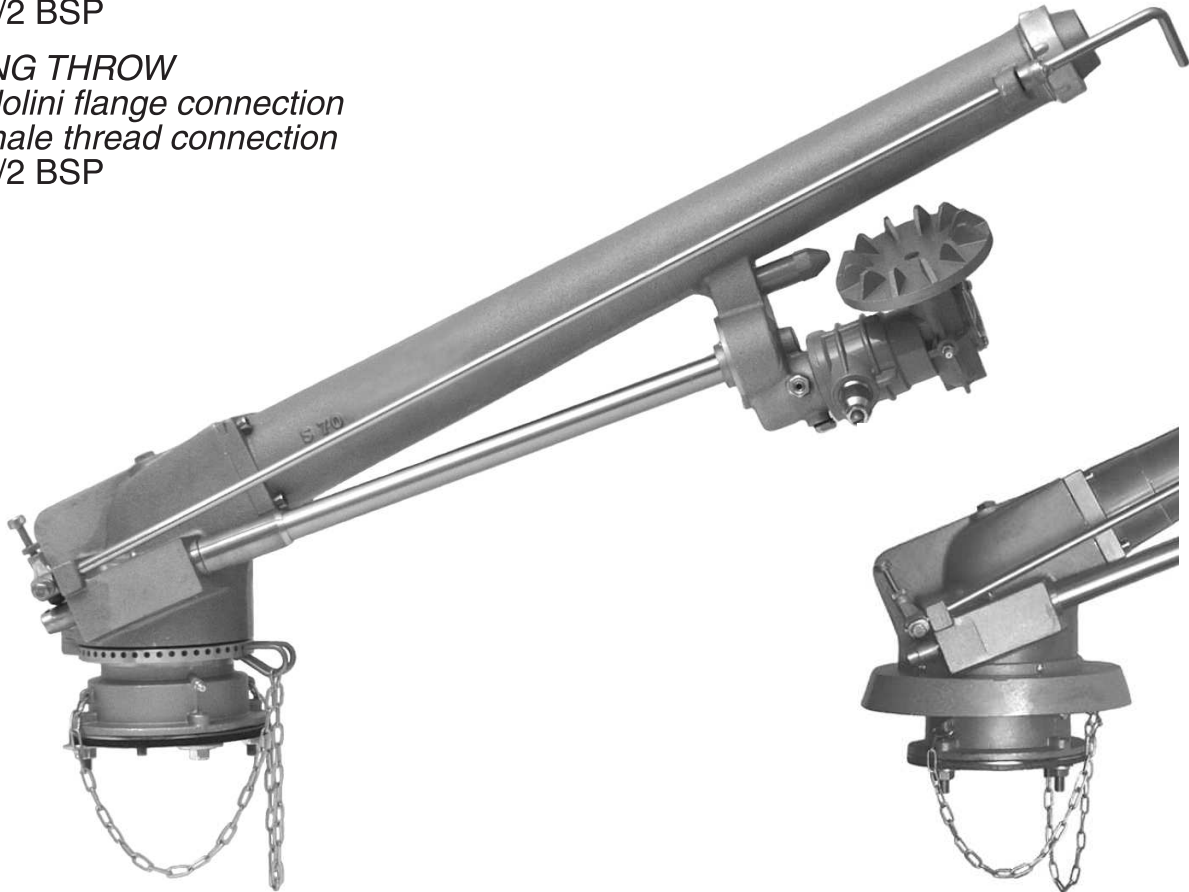
S70 DUST SUPPRESSION

A LUNGA GITTATA

Attacco a flangia Nodolini
 Connessione filetto femmina
 2" 1/2 BSP

LONG THROW

Nodolini flange connection
Female thread connection
 2" 1/2 BSP



Disponibile con carter parapolvere
Also available with dust protection cover

Irrigatore a turbina a lunga gittata studiato per ottenere il massimo rendimento con impianti di media potenza.

Disponibile senza rompigetto.

Long range turbine sprinkler designed to obtain maximum output with medium power systems.

Also available without jet-breaker.

Boccaglio Nozzle Ø mm	Pressione Pressure atm.	Portata Discharge l/min	Gittata Length of jet m
24	4,0 - 5,0 - 6,0	729 - 815 - 893	45 - 52 - 55
26	4,0 - 5,0 - 6,0	856 - 957 - 1048	47 - 53 - 57
28	4,0 - 5,0 - 6,0	992 - 1109 - 1215	49 - 54 - 59
30	5,0 - 6,0 - 7,0	1272 - 1393 - 1505	55 - 61 - 63
32	5,0 - 6,0 - 7,0	1449 - 1587 - 1714	57 - 63 - 66
34	6,0 - 7,0 - 8,0	1792 - 1935 - 2069	64 - 67 - 69
36	6,0 - 7,0 - 8,0	2009 - 2170 - 2320	65 - 69 - 71
38	7,0 - 8,0 - 9,0	2418 - 2585 - 2742	71 - 73 - 75

I dati tecnici sono orientativi e non impegnativi

The technical characteristics are indicative and not binding

S70 SUPER DUST SUPPRESSION

A LUNGA GITTATA

Attacco a grande flangia (Euroflangia)

LONG THROW

Big flange connection (Euroflange)



Disponibile con carter parapolvere
 Also available with dust protection cover

Irrigatore a turbina a lunga gittata studiato per ottenere il massimo rendimento con impianti di media potenza.

Disponibile senza rompigitto.

Long range turbine sprinkler designed to obtain maximum output with medium power systems.

Also available without jet-breaker.

Boccaglio Nozzle Ø mm	Pressione Pressure atm.	Portata Discharge l/min	Gittata Length of jet m
24	4,0 - 5,0 - 6,0	729 - 815 - 893	45 - 53 - 56
26	4,0 - 5,0 - 6,0	856 - 957 - 1048	48 - 54 - 58
28	4,0 - 5,0 - 6,0	992 - 1109 - 1215	50 - 55 - 60
30	5,0 - 6,0 - 7,0	1272 - 1393 - 1505	56 - 62 - 64
32	5,0 - 6,0 - 7,0	1449 - 1587 - 1714	57 - 65 - 67
34	6,0 - 7,0 - 8,0	1792 - 1935 - 2069	65 - 69 - 70
36	6,0 - 7,0 - 8,0	2009 - 2170 - 2320	66 - 71 - 72
38	7,0 - 8,0 - 9,0	2418 - 2585 - 2742	72 - 74 - 76

I dati tecnici sono orientativi e non impegnativi

The technical characteristics are indicative and not binding

S80 DUST SUPPRESSION

A LUNGA GITTATA

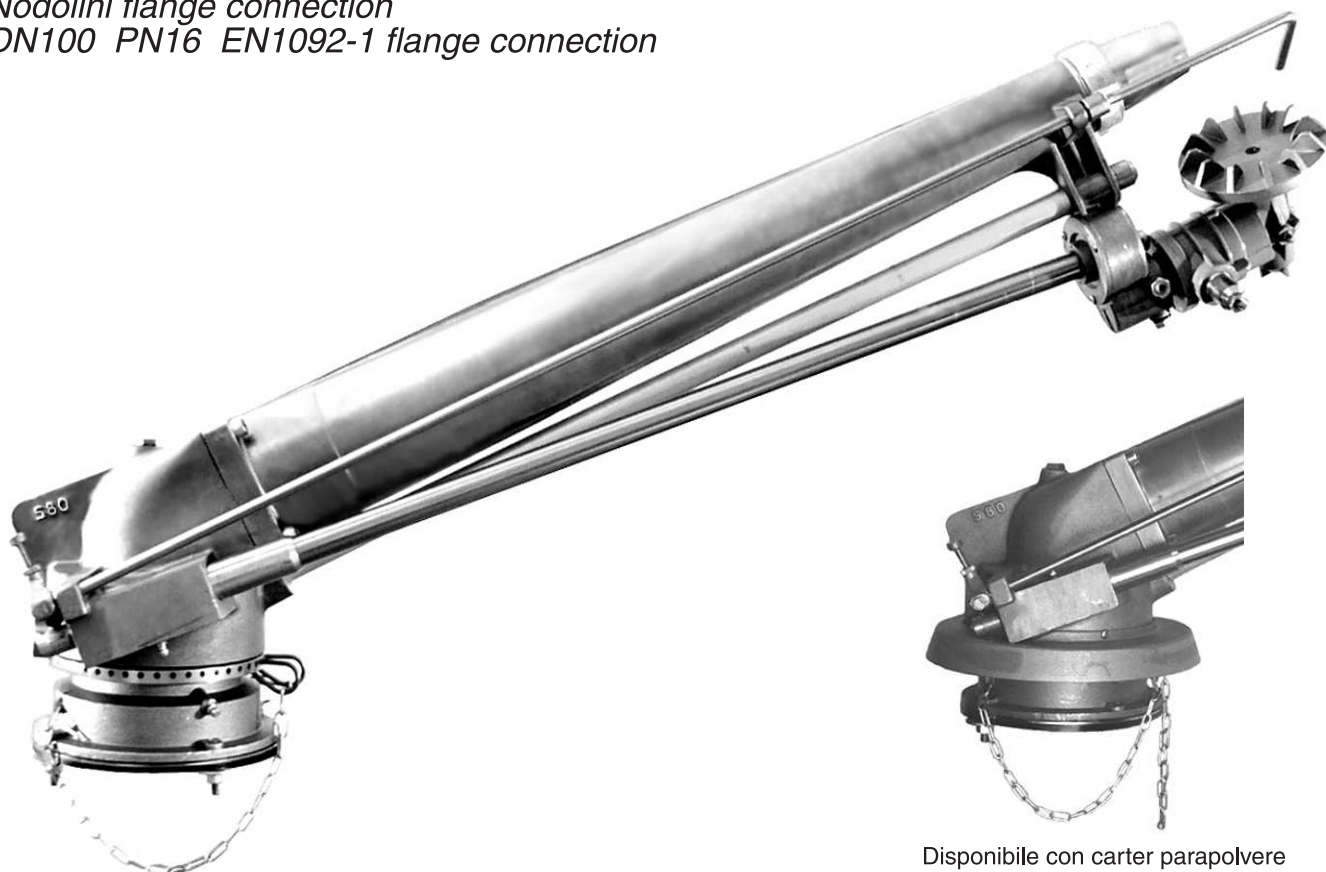
Attacco a flangia Nodolini

Attacco a flangia DN100 PN16 EN1092-1

LONG THROW

Nodolini flange connection

DN100 PN16 EN1092-1 flange connection



Disponibile con carter parapolvere
 Also available with dust protection cover

Disponibile senza rompigitto

Also available without jet-breaker

Boccaglio Nozzle Ø mm	Pressione Pressure atm.	Portata Discharge l/min	Gittata Length of jet m
26	4,5 - 5,0 - 5,5	908 - 957 - 1004	49 - 52 - 53
28	4,5 - 5,0 - 5,5	1053 - 1110 - 1164	51 - 54 - 56
30	5,0 - 5,5 - 6,0	1273 - 1335 - 1394	55 - 57 - 60
32	5,5 - 6,0 - 6,5	1520 - 1587 - 1652	59 - 62 - 65
34	6,0 - 6,5 - 7,0	1792 - 1865 - 1935	63 - 66 - 68
36	6,0 - 7,0 - 8,0	2008 - 2169 - 2319	65 - 70 - 75
38	7,0 - 8,0 - 9,0	2418 - 2585 - 2742	73 - 76 - 79

I dati tecnici sono orientativi e non impegnativi

The technical characteristics are indicative and not binding

S80 SUPER DUST SUPPRESSION

A LUNGHISSIMA GITTATA

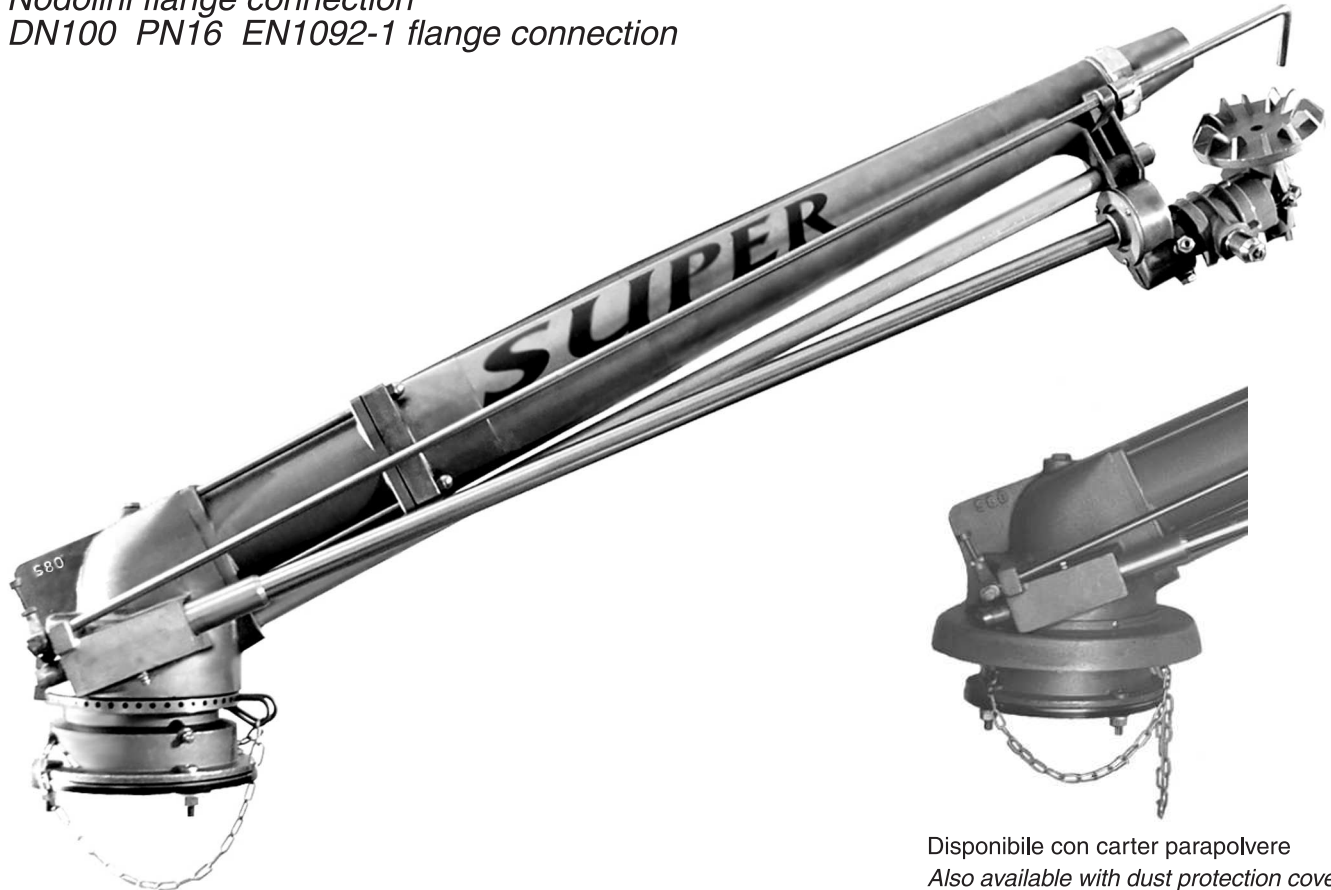
Attacco a flangia Nodolini

Attacco a flangia DN100 PN16 EN1092-1

VERY LONG THROW

Nodolini flange connection

DN100 PN16 EN1092-1 flange connection



Disponibile con carter parapolvere
 Also available with dust protection cover

Disponibile senza rompigitto

Also available without jet-breaker

Boccaglio Nozzle Ø mm	Pressione Pressure atm.	Portata Discharge l/min	Gittata Length of jet m
30	5,0 - 5,5 - 6,0	1273 - 1335 - 1394	56 - 60 - 62
32	6,0 - 6,5 - 7,0	1587 - 1652 - 1714	61 - 65 - 68
34	6,0 - 6,5 - 7,0	1792 - 1865 - 1935	63 - 66 - 70
36	7,0 - 8,0 - 9,0	2169 - 2319 - 2460	71 - 74 - 80
38	7,0 - 8,0 - 9,0	2418 - 2585 - 2742	73 - 78 - 83
40	8,0 - 9,0 - 10,0	2864 - 3038 - 3203	81 - 86 - 90
42	8,0 - 9,0 - 10,0	3120 - 3310 - 3490	83 - 89 - 93
44	9,0 - 10,0 - 11,0	3630 - 3830 - 4050	92 - 95 - 99

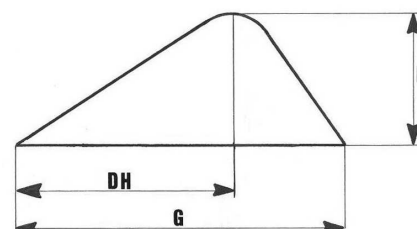
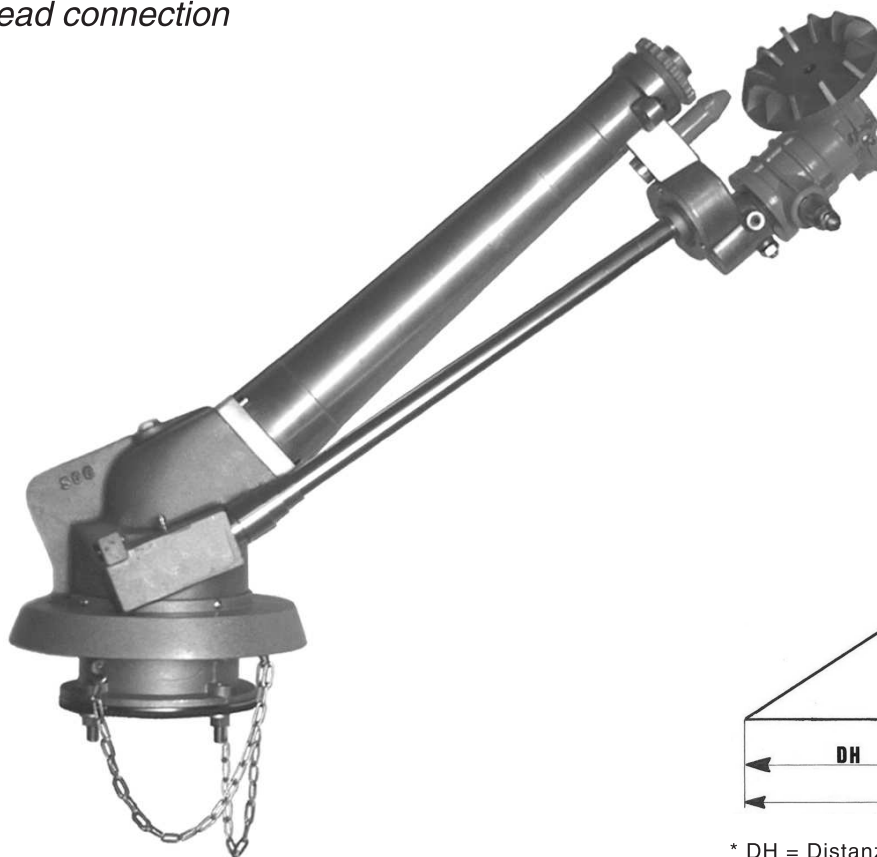
I dati tecnici sono orientativi e non impegnativi

The technical characteristics are indicative and not binding

S60 - 43° DUST SUPPRESSION

Attacco a flangia Nodolini
 Connessione filetto femmina
 2" BSP

Nodolini flange connection
Female thread connection
2" BSP



* DH = Distanza tra irrigatore e apogeo
Distance from sprinkler to apogee

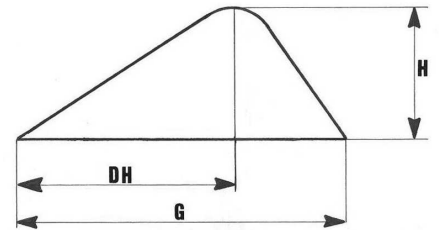
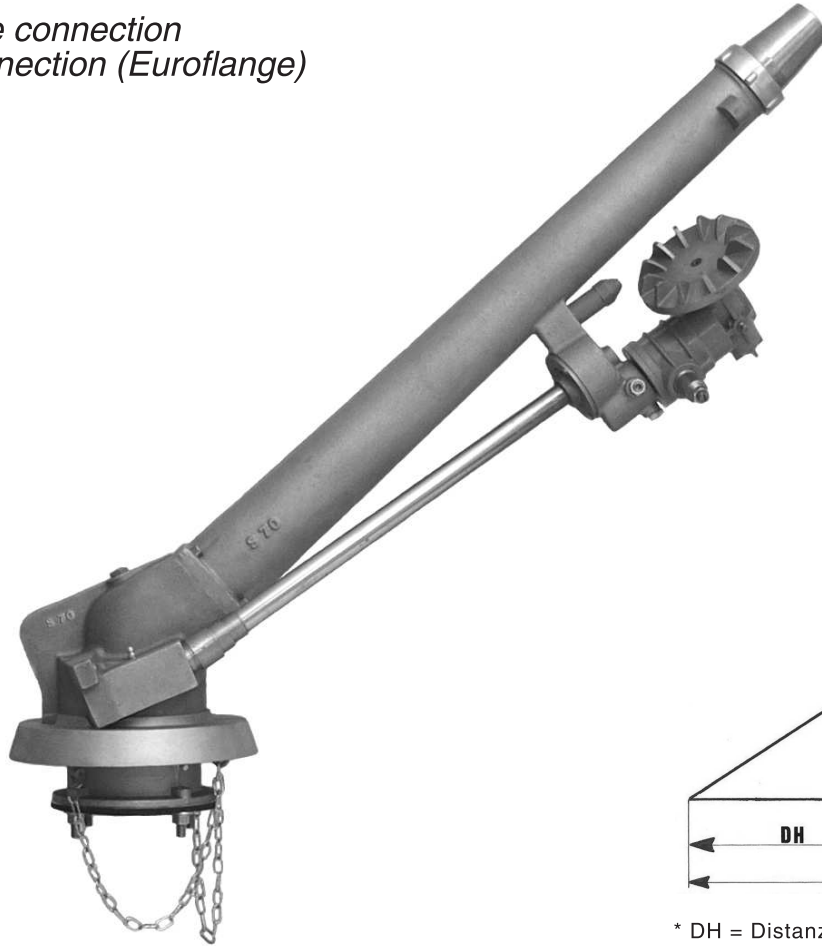
Boccaglio Nozzle Ø mm	Pressione Pressure atm.	Portata Discharge l/min	Gittata G Length of jet G m	Apogeo H Apogee H m	Distanza DH* Distance DH* m
20	3,0 - 4,0 - 5,0	440 - 506 - 566	37 - 41 - 44	11 - 14 - 17	22 - 26 - 29
22	3,0 - 4,0 - 5,0	530 - 612 - 684	38 - 42 - 45	12 - 15 - 18	23 - 27 - 30
24	4,0 - 5,0 - 6,0	729 - 816 - 895	44 - 48 - 51	16.5 - 18 - 20	28 - 32 - 36
26	4,0 - 5,0 - 6,0	857 - 957 - 1050	46 - 50 - 52	16.5 - 18.5 - 20.5	30 - 33 - 36
28	4,0 - 5,0 - 6,0	994 - 1110 - 1220	48 - 51 - 54	17 - 19 - 21.5	31 - 34 - 37
30	5,0 - 6,0 - 7,0	1273 - 1394 - 1513	55 - 62 - 64	21 - 23 - 25	39 - 43 - 45

I dati tecnici sono orientativi e non impegnativi
The technical characteristics are indicative and not binding

S70 - 43° DUST SUPPRESSION

Attacco a flangia Nodolini
 Attacco a grande flangia (Euroflangia)

Nodolini flange connection
Big flange connection (Euroflange)



* DH = Distanza tra irrigatore e apogeo
Distance from sprinkler to apogee

Boccaglio Nozzle Ø mm	Pressione Pressure atm.	Portata Discharge l/min	Gittata G Length of jet G m	Apogeo H Apogee H m	Distanza DH* Distance DH* m
26	4,0 - 5,0 - 6,0	860 - 957 - 1060	47 - 51 - 53	17 - 19 - 21	31 - 35 - 37
28	4,0 - 5,0 - 6,0	997 - 1110 - 1225	49 - 54 - 57	18 - 22 - 25	32 - 38 - 40
30	5,0 - 6,0 - 7,0	1273 - 1394 - 1520	56 - 57 - 58	21 - 24 - 26	39 - 40 - 41
32	5,0 - 6,0 - 7,0	1475 - 1587 - 1735	61 - 63 - 66	22 - 25 - 27	40 - 42 - 43
34	5,0 - 6,0 - 7,0	1645 - 1792 - 1935	62 - 64 - 67	23 - 25.5 - 27.5	41 - 43 - 44
36	6,0 - 7,0 - 8,0	2008 - 2169 - 2316	68 - 71 - 73	25 - 29.5 - 34	48 - 50 - 53

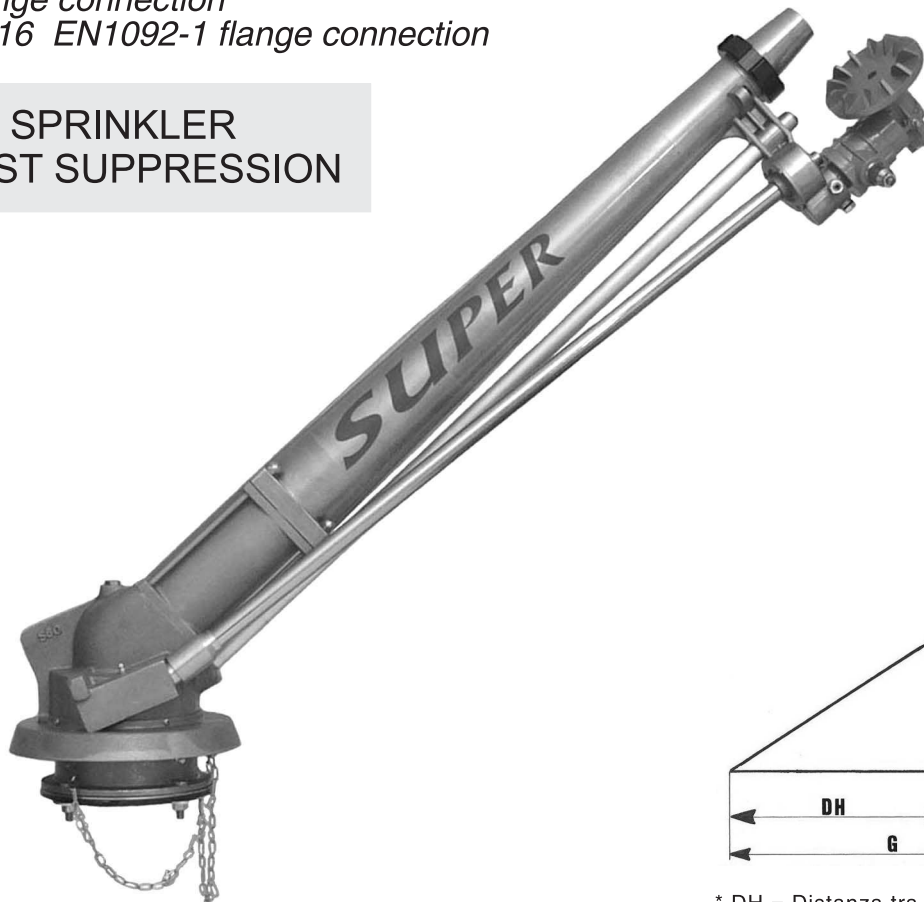
I dati tecnici sono orientativi e non impegnativi
The technical characteristics are indicative and not binding

S80 SUPER - 43° DUST SUPPRESSION

Attacco a flangia Nodolini
 Attacco a flangia DN100 PN16 EN1092-1

Nodolini flange connection
DN100 PN16 EN1092-1 flange connection

THE BIG SPRINKLER
 FOR DUST SUPPRESSION



* DH = Distanza tra irrigatore e apogeo
 Distance from sprinkler to apogee

Boccaglio Nozzle Ø mm	Pressione Pressure atm.	Portata Discharge l/min	Gittata G Length of jet m	Apogeo H Apogee H m	Distanza DH* Distance DH* m
26	4,0 - 5,0 - 6,0	860 - 957 - 1060	47 - 52 - 54	17 - 19,5 - 21	31 - 36 - 38
28	4,0 - 5,0 - 6,0	997 - 1110 - 1225	49 - 55 - 58	18 - 22 - 25	32 - 39 - 41
30	5,0 - 6,0 - 7,0	1273 - 1394 - 1520	56 - 59 - 61	21 - 24 - 26	39 - 41 - 43
32	5,0 - 6,0 - 7,0	1475 - 1587 - 1735	61 - 63 - 67	22 - 25 - 27	40 - 42 - 44
34	5,0 - 6,0 - 7,0	1645 - 1792 - 1935	62 - 64 - 69	23 - 25,5 - 28	41 - 43 - 46
36	6,0 - 7,0 - 8,0	2008 - 2169 - 2316	68 - 71 - 74	25 - 29,5 - 33	46 - 48 - 51
38	7,0 - 8,0 - 9,0	2418 - 2585 - 2742	73 - 77 - 80	31 - 34 - 36	51 - 54 - 56

I dati tecnici sono orientativi e non impegnativi
 The technical characteristics are indicative and not binding



Nodolini
SPRINKLERS

Via C. Iotti, 55 - 42045 Luzzara (RE) - Italy
Tel. +39 0522 977491 - Fax +39 0522 977491
info@nodolini.com - www.nodolini.com